

HOTCHKIS SPORT SUSPENSION



HORSEPOWER FOR YOUR SUSPENSION



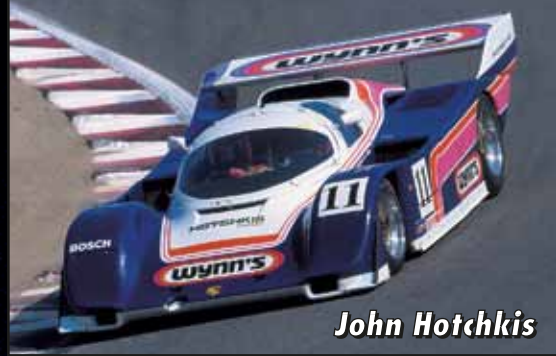
Volume 12



ALL ABOUT

HOTCHKIS HOTCHKIS SPORT SUSPENSION

The experience of John Hotchkis and the entire Hotchkis Performance team ensures that you receive high quality products, engineered to perform and designed to be strong. Our suspension controls many of the fastest cars in the country, from 8 second quarter mile Grand Nationals, Mustangs and Chevelles to canyon carving, street cruising Camaros, Monte Carlos, Impala SS's and Corvettes. Numerous road racing, drag racing and autocross racing teams rely and win with Hotchkis Performance products. When the best magazines choose suspension products, Hotchkis Performance is there. Just ask the editors of Hot Rod, Motor Trend, Car Craft, Chevy High Performance, Sport Truck, Super Chevy, Popular Hot Rodding, Street Trucks and Truckin'.



John Hotchkis

Dear Fellow Car Enthusiast,

Thank you for your support and continued loyalty. It is hard to believe that it has been almost 14 years since Hotchkis Performance products were first introduced to the aftermarket. We have grown tremendously since then because we have continued to pursue our original design goal to produce the highest quality suspension components that will dramatically improve the handling, stability, and traction of Muscle Cars, SUV's and trucks. Our newest innovation is our **TVS (Total Vehicle System)** kits that contain engineered and tuned components that work together to improve your Performance Vehicle's handling. All of these kits have passed our rigorous in-house testing procedures including slalom, skid pad, autocross and of course 1/4 mile. We are proud to say that the majority of our staff's personal vehicles are equipped with Hotchkis Performance products and these are the people you will talk to on the phone for answers to your technical questions. You can be confident that as Hotchkis Performance grows and expands that we will continue to produce the best suspension products available. We welcome your input and comments through e-mail or by phone.

See you on the road!

John Hotchkis



HOTCHKIS TOTAL VEHICLE SYSTEM (TVS)

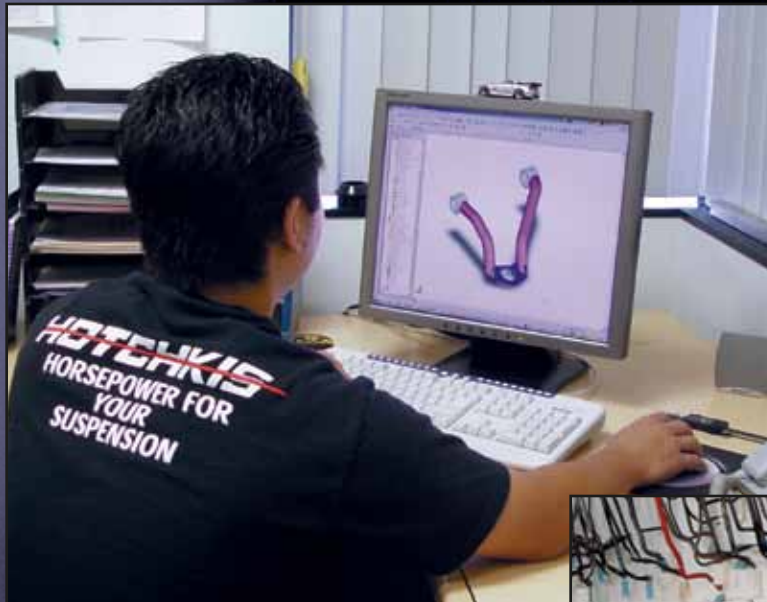


The Hotchkis TVS (Total Vehicle System) concept was designed for the driving enthusiast who demands the ultimate in vehicle handling and performance without sacrificing a comfortable ride. Using our TVS system guarantees that all the suspension components for your vehicle have been thoroughly engineered and designed to work together as a complete suspension system. This completely tuned suspension package eliminates the poor ride quality that often results from the use of components produced by different manufacturers.

THE HOTCHKIS PERFORMANCE ADVANTAGE:

The obvious Hotchkis Performance advantage is improved traction and handling for your performance vehicle. We go a step further giving you the additional advantage of convenience and product longevity with the inclusion of all necessary heavy duty installation hardware. This ensures our products live up to what performance magazine articles have described about Hotchkis Performance suspension: "Install on Saturday, drive on Saturday!"

SWAY BAR PROTOTYPE & PRODUCTION PROCESS



All Hotchkis Performance sway bars are meticulously designed on a fully parametric CAD system. This insures that the sway bars are designed for the proper fit and handling characteristics of the vehicle. Hotchkis Performance uses hollow sway bar technology extensively in their products. In most cases, this gives us the torsional stiffness the chassis tuner demands, but with about half the weight of a solid bar.

Once a sway bar has been prototyped on our CNC bender using the vector coordinates, it is then checked on a laser inspection system to ensure that the design tolerances have been met. Production parts are also checked using this same system, giving instant corrections to allow for spring back and material properties, giving the customer a superior quality part.



By manufacturing the sway bars on a CNC machine, we have eliminated many hand forming steps. This new manufacturing process allows all sway bars to be bent cold, ensuring the highest strength and durability that our customers demand. The CNC bender also allows us to make many of today's modern performance car's intricate shapes.

SUSPENSION 101

A QUICK EDUCATION IN PERFORMANCE SUSPENSION



TUBULAR UPPER A-ARMS (1101C, 1102, 1103C, 1104, 1107, & 1109)

Tubular upper A-Arms offer improved geometry, increased caster, added camber adjustability in a streamlined appearance. Arms such as the 1101C & 1103C allow for the use of late model taller spindles and brakes, for improved suspension geometry and stopping power. Lower A-Arms offer improved geometry, added strength, ride height adjustment, and a streamlined appearance. Hotchkis Sport Suspension A-Arms feature 100% TIG welded construction, premium ball joints, greasable bushings, and gloss black powdercoated finish.



DOUBLE ADJUSTABLE UPPER TRAILING ARMS (1201AA, 1202AA, 1203AA, 1204AA, 1213, 1214, 1215)

Improves traction, reduces wheel hop, improves handling and stability. Stronger than stock arms. Won't Bend or Break on High HP cars. Allows for pinion angle adjustments to correct drive line vibrations. Features Tig welded construction and quiet greasable polyurethane bushings.



LOWER TRAILING ARMS (1301, 1302, 1304, 1305, 1306, 1311, 1313, 1314)

Improves traction, reduces wheel hop, improves handling and stability. Stronger than stock arms. Won't Bend or Break on High HP cars. Tig welded construction, grade 8 hardware and greasable polyurethane bushings.



DOUBLE ADJUSTABLE PANHARD ROD (1501, 1501R, 1513, 1514)

Stronger than stock bar. Improves Handling by reducing lateral rear end movement. Adjustable design. Tig welded construction, and quiet greasable polyurethane bushings.



SPORT COIL SPRINGS & LEAF SPRINGS

Lowers ride height for increased performance and looks. Increased spring rates for reduced body roll and better performance. Tested and tuned for every application to ensure optimum performance. Superior performing, smoother riding multi leaf design.



C-10 SPORT PACKAGE

1963-72 2WD



#80390

Dramatically improved handling, control with great ride quality.

For the ultimate handling 63-72 C-10 Pickup, nothing beats the Hotchkis Sport Suspension Total Vehicle System. Every aspect of the C-10 suspension has been re-engineered for the maximum performance and is being offered in a complete tuned package. Our system includes upper and lower geometry corrected a-arms, redesigned center link, front and rear sway bars, lowered sport coil springs, rear track bar, truck arm anti-squat brackets, and custom tuned Hotchkis/Bilstein shocks with relocation brackets. Our system is a proven autocross winner designed for maximum performance in a installer friendly kit. PROUDLY MADE IN THE USA.

FEATURES:

- Geometry Corrected Tubular Upper A-Arms
- Tubular Lower A-Arms Engineered to extend wheelbase 1.8" and add up to +9° Caster
- 4130 CNC Machined Cross Shaft / w Bronze Bushing & Delrin Bushings
- Includes fabricated center link and heavy duty tie rod sleeves to eliminate bump steer.
- 1 7/16" Front Sway Bar
- 4" Lowered Front, and 6" Lowered Rear Springs
- Front and Rear Hotchkis Tuned/Bilstein Shocks with relocater brackets for maximum efficiency.
- Rear Adjustable Track Bar
- Rear Anti-Squat Bracket System
- Unique 3/4" Blade Style Rear Sway Bar System

1964-1988 GM A-BODY



Stage 2 Total Vehicle System



The Hotchkis Stage 2 Total Vehicle System is the ultimate tuned package for improved handling, drivability, and control of your GM A-Body car. The system starts with geometry corrected tubular A-Arms. These TIG welded arms feature improved suspension geometry which increases front end traction and grip. 1" Lowered sport springs and matched shocks improve the ride and control of the car reducing bottoming and excessive suspension movement. A massive 1 3/8" front sway bar and an adjustable 1 5/16" rear bar reduce body roll and sway improving car control. In the rear traction and grip is improved with adjustable upper trailing arms, heavy duty, boxed lower trailing arms, unique frame stiffeners and grade 8 hardware. The entire system is a bolt on installation and requires no modifications to the vehicle. Hotchkis offers three different levels of Total Vehicle Systems as well as individual components to fit any build configuration or budget.



Before



After

1964-1988 GM A-BODY

TUBULAR UPPER A-ARMS

Install the Hotchkis Sport Suspension Geometry Corrected Tubular Upper A-Arms and gain vastly increased handling and control. These TIG welded bolt-on A-Arms offer premium quality construction for ultimate performance and a great look. Smooth operating polyurethane bushings in the 4130 billet cross shaft allow the A-Arms to move through their travel easily. Finished in gloss black powder coat, the arms are ready to install and are complete with premium ball joints and polyurethane droop stops. Easy installation with no vehicle modifications required.



TUBULAR LOWER A-ARMS

Install the Geometry Corrected Hotchkis Tubular Lower A-Arms on your GM A-Body and gain vastly increased handling and control. These TIG welded, bolt-on A-Arms offer ride height adjustment for ultimate performance and a great look. Smooth operating Delrin bushings allow the A-Arms to move through their travel easily. Finished in gloss black powder coat, the arms are ready to install and are complete with ball joints, bump stops, ride height shims, polyurethane coil spring locators and Delrin bushings.

SPORT SWAY BARS

Improve cornering and straight line performance with a Hotchkis sway bar package. A massive 1 3/8" front sway bar comes complete with greasable bushings, brackets and hardware. We offer two different rear bars, one in 1" solid, or an adjustable tubular 1 5/16" rear bar in the extreme kits.



SPORT COIL SPRINGS

Improve handling and appearance with a set of Hotchkis Sport Coil Springs. With 1" and 2" drop combinations, these springs will give your car the right look, with an aggressive stance and a lower center of gravity. Our springs provide a firm but not harsh ride.

1964-1988 GM A-BODY

REAR SUSPENSION PACKAGES

Hotchkis Sport Suspension upper and lower trailing arms work together to positively locate and control the rear axle. Launches are quicker, smoother and more consistent by reducing wheel hop. The upper control arms allow for easy pinion angle changes to better tune your vehicle. Cornering and overall stability are dramatically improved through increased roll stiffness and sway bar effectiveness. The fabricated trailing arms are constructed from one piece of .120" wall TIG welded steel tubing making them the stongest in the industry and include greasable polyurethane bushings. Trailing arm mount braces and hardware are also included. This item is a must for any high horsepower A-Body models



STEERING REBUILD KITS

Worn out steering parts cause poor performance and put your safety at risk. Don't trust your old suspension parts, upgrade your Muscle Cars suspension with one of our PREMIUM STEERING REBUILD KITS. We have sourced only the highest quality components, and placed them in a convenient kit. Kit Includes: (2) Inner Tie Rod Ends, (2) Outer Tie Rod Ends, Center Link Assembly, Idler Arm.

Note: Does not include Tie Rod Sleeve.



MACHINED TIE ROD SLEEVES

Enhance steering precision with our Machined Tie Rod Adjusting Sleeves. They feature machined hex bodies, jam nuts and are finished in durable gloss black powder coat.



HPS 1000 Shocks

Improve the ride and handling of your muscle car with Hotchkis Sport Suspension's HPS 1000 vehicle specifically tuned shock absorbers. Manufacturing features Bilsteins deflective disc valve technology in a high pressure mono tube shock body which allows excessive heat to be dissipated quicker than twin tube designs. Conveniently bundled in a 4-pack, shocks can be used on stock or lowered cars.

REAR SPRING AIR BAGS

Improve launches and weight capacity by inserting these air bags inside your rear springs. Air bags work much better than air shocks offering a better ride and by still allowing a performance shock to be used.



1967-1969 GM F-BODY



Stage 2 Total Vehicle System #80015-2CV



The Hotchkis Stage 2 Total Vehicle System is the ultimate tuned package for improved handling, drivability, and control of your GM F-Body car. The system starts with geometry corrected tubular A-Arms. These TIG welded arms feature improved suspension geometry which increases front end traction and grip. Lowered sport springs, leafs and matched shocks improve the ride and control of the car reducing bottoming and excessive suspension movement. A massive 1 1/8" front sway bar and an adjustable 7/8" rear bar reduce body roll and sway improving car control. To improve chassis rigidity, sub frame connectors and a rear chassis Stage 2 sway bar brace are included. The entire system is a bolt on installation and requires no modifications to the vehicle except slight welding. Hotchkis offers two different levels of Total Vehicle Systems as well as individual components to fit any build configuration or budget.

SWIVEL MAX LEAF SPRING BUSHING UPGRADE



Upgrades existing leaf spring kits to a high articulation heim joint bushing for maximum performance at the track or street.

HANDLE BARS & SHOCK TOWER BRACE



FEATURES:

- Fabricated from 1.5" steel tubing and TIG welded to precision CNC bent brackets
- CAD designed for superior fit and finish. Laser cut gussets maximize strength
- Powdercoated anthracite finish
- Works with most suspension systems and engine installations
- Easy, bolt-on installation

BENEFITS:

- Rigidly connects the upper mounts, which dramatically reduces chassis flex during hard cornering and acceleration
- Triangulation brace ties a-arms, shock towers and firewall together
- Improves driver control, handling and overall feel. Perfect final addition for any street machine, pro-touring car or road race Camaro



SWAY BAR & CHASSIS MAX BRACE

- Strong, Lightweight Tubular 1 1/8" Front Bar
- Strong, Lightweight Tubular 7/8" 3 Hole Adj. Rear Bar
- Includes Chassis Max Rear Reinforcement Brace
- Greasable Sway Bar Bushings and Mounts
- Fabricated Dog-Bone End Links, with Grease Fittings.
- High Quality, Grade 8 Hardware Included.
- Durable, Gloss Black Powder Coated Finish.



1967 - 1969 GM F - BODY CAMARO, PONTIAC FIREBIRD

PART#	DESCRIPTION
1107	UPPER TUBULAR A-ARM PACKAGE, FOR STOCK SPINDLE
1109	LOWER TUBULAR A-ARM PACKAGE
1404	CENTER X-BRACE KIT (FOR CONVERTIBLES ONLY)
1415	CHASSIS STAGE 2 SWAY BAR BRACE
1607	TIE ROD SLEEVES
2015	FENDER BRACE
2314	LOWERING PAD KIT (6) 1/4" THICK - 1" DROP BOTH SIDES MAX
4007	SUB FRAME CONNECTORS, FOR COUPE ONLY
4008	SUB FRAME CONNECTORS, FOR CONVERTIBLES ONLY
81001	CHASSIS STAGE 2 KIT CONVERTIBLE ONLY 4008 & 1404
20101	CHASSIS STAGE 2 HANDLE BARS
20102	SHOCK BRACE 68-69 ONLY
70010012	HPS 1000 FRONT SHOCK
71010012	HPS 1000 REAR SHOCK
79010003	HPS 1000 SHOCK 4 PACK
1906F	FRONT SPRINGS FOR BIG BLOCK, 2" DROP
1907F	FRONT SPRINGS FOR SMALL BLOCK, 2" DROP
1937F	FRONT SPRINGS FOR SMALL BLOCK, 3" DROP
2407C	LEAF SPRINGS KIT, 1 1/2" DROP, INC. SHACKLES AND HARDWARE
2413C	LEAF SPRINGS KIT, 3" DROP, INC. SHACKLES AND HARDWARE
21016	SWIVEL STAGE 2 HIGH ARTICULATION BUSHING UPGRADE
2207C	SWAY BAR SET, 1 1/8" FRONT BAR (H), 7/8" REAR BAR (H) W/BRACE
2207F	FRONT SWAY BAR, 1 1/8" (H)
2207RC	REAR SWAY BAR, 7/8" (H) W/ BRACE
80014	TVS KIT BIG BLOCK
80015	TVS KIT SMALL BLOCK
80035	TVS KIT SMALL BLOCK 3" DROP
80014-2	STAGE 2 TVS KIT BIG BLOCK
80015-2	STAGE 2 TVS KIT SMALL BLOCK
80035-2	STAGE 2 TVS KIT SMALL BLOCK 3" DROP
80014-2CV	STAGE 2 TVS KIT BIG BLOCK 2" DROP 67-69 CONVERTIBLE
80015-2CV	STAGE 2 TVS KIT SMALL BLOCK 2" DROP 67-69 CONVERTIBLE
80035-2CV	STAGE 2 TVS KIT SMALL BLOCK 3" DROP 67-69 CONVERTIBLE
CHESTR063	STEERING REBUILD KIT, 67 MANUAL STEERING
CHESTR065	STEERING REBUILD KIT, 67 POWER STEERING
CHESTR040	STEERING REBUILD KIT, 68-69 MANUAL STEERING
CHESTR041	STEERING REBUILD KIT, 68-69 POWER STEERING

COMPLETE SUB-FRAME

Replace your rusty and twisted sub-frame on your 1967-69 Camaro, 1967-69 Firebird, or 1968-74 Nova with a brand new unit from Hotchkis. Our High Quality sub-frame is manufactured by AMD and features factory-style construction for OEM appearance, and added bracing to the lower cross member, for additional strength. Hotchkis strips and media blasts the entire frame and adds a semi gloss powder coat finish. Hotchkis then takes this beautiful sub-frame and pre installs all the key suspension components making this a truly bolt-on package.

1970-1981 GM F-BODY



Stage 2 Total Vehicle System #80016-2



The Hotchkis Stage 2 Total Vehicle System is the ultimate tuned package for improved handling, drivability, and control of your GM F-Body car. The system starts with geometry corrected tubular A-Arms. These TIG welded arms feature improved suspension geometry which increases front end traction and grip. Lowered sport springs, leafs and matched shocks improve the ride and control of the car reducing bottoming and excessive suspension movement. A massive 1 3/8" front sway bar and an adjustable 7/8" rear bar reduce body roll and sway improving car control. To improve chassis rigidity, sub frame connectors are included. The entire system is a bolt on installation and requires no modifications to the vehicle except slight welding. Hotchkis offers two different levels of Total Vehicle Systems as well as individual components to fit any build configuration or budget.

SWIVEL STAGE 2 LEAF SPRING BUSHING UPGRADE



#21016



#21016



#21016

Upgrades existing leaf spring kits to a high articulation heim joint bushing for maximum performance at the track or street.

1970-81 CAMARO/FIREBIRD TUBULAR A-ARMS



UPPER A-ARM FEATURES:

- Smooth operating greasable Delrin bushings
- Lightweight, strong 1.25" tubing
- CNC machined 4130 Chrome Moly crossshaft
- Bolt-on installation

LOWER A-ARM FEATURES:

- 100% TIG welded 1.5" tubular steel construction
- CNC machined inset spring cup

1970-81 CAMARO HANDLE BARS



- Precision aluminum ride height adjustment shims
- Polyurethane coil springs isolators
- Easy to lubricate Delrin bushings
- Lower ball joint installed
- Includes our unique rod end hybrid end links

BENEFITS:

- Rigidly connects upper a-arms to the cowl and firewall, which dramatically reduces chassis flex during hard cornering and acceleration

FEATURES:

- Fabricated from 1.5" steel tubing and TIG welded to precision CNC bent brackets
- CAD designed for superior fit and finish
- Powdercoated anthracite finish
- Works with most suspension systems and engine installations
- Easy, bolt-on installation

1970-81 CAMARO/FIREBIRD SUB FRAME CONNECTORS



FEATURES:

- TIG welded, fabricated 1.5"x3" .120 wall rectangular steel
- Rigidly connects the front sub-frame to chassis, dramatically reducing chassis flex during hard cornering and acceleration
- No cutting or modifying floor
- Bolt-on front connection. Allows for sub-frame removal
- Unique tucked-in design gives excellent ground clearance

1970 - 1981 GM F - BODY CAMARO, 1970 - 1973 PONTIAC FIREBIRD

PART#	DESCRIPTION
1106	STOCK UPPER TUBULAR A-ARM PACKAGE, FOR STOCK SPINDLE
1108	LOWER TUBULAR A-ARM PACKAGE
1612	TIE ROD SLEEVES
4012	SUB FRAME CONNECTORS, 1970-1973
4013	SUB FRAME CONNECTORS, 1974-1981
20103	CHASSIS STAGE 2 HANDLE BARS CAMARO ONLY
70010009	HPS 1000 FRONT SHOCK, 77-81
70010012	HPS 1000 FRONT SHOCK, 70-76
71010014	HPS 1000 REAR SHOCK
79010004	HPS 1000 SHOCK 4 PACK (1970-1976)
79010005	HPS 1000 SHOCK 4 PACK (1977-1981)
1908F	FRONT SPRINGS FOR SMALL BLOCK, 2" DROP
1909F	FRONT SPRINGS FOR BIG BLOCK, 2" DROP
2408C	LEAF SPRINGS KIT, 1 1/2" DROP, INC. SHACKLES AND HARDWARE
21016	SWIVEL STAGE 2 HIGH ARTICULATION BUSHING UPGRADE
2236	SWAY BAR SET, 1 3/8" FRONT BAR (H) & 7/8" REAR BAR (H)
2236F	FRONT SWAY BAR, 1 3/8" (H)
2236R	REAR SWAY BAR, 7/8" (H)
80016	TVS KIT BIG BLOCK
80017	TVS KIT SMALL BLOCK
80016-2	STAGE 2 TVS KIT BIG BLOCK 70-73 Camaro/Firebird
80017-2	STAGE 2 TVS KIT SMALL BLOCK 70-73 Camaro/Firebird
80016-24	STAGE 2 TVS KIT BIG BLOCK 74-76 Camaro
80017-24	STAGE 2 TVS KIT SMALL BLOCK 74-76 Camaro
80016-27	STAGE 2 TVS KIT BIG BLOCK 77-81 Camaro
80017-27	STAGE 2 TVS KIT SMALL BLOCK 77-81 Camaro

1974 - 1981 PONTIAC FIREBIRD

PART#	DESCRIPTION
1106	STOCK UPPER TUBULAR A-ARM PACKAGE, FOR STOCK SPINDLE
1108	LOWER TUBULAR A-ARM PACKAGE
1612	TIE ROD SLEEVES
4013	SUB FRAME CONNECTORS, 1974-1981
70010009	HPS 1000 FRONT SHOCK, 77-81
70010012	HPS 1000 FRONT SHOCK, 70-76
71010014	HPS 1000 REAR SHOCK
79010004	HPS 1000 SHOCK 4 PACK (1970-1976)
79010005	HPS 1000 SHOCK 4 PACK (1977-1981)
1908F	FRONT SPRINGS FOR SMALL BLOCK, 2" DROP
1909F	FRONT SPRINGS FOR BIG BLOCK, 2" DROP
2409C	PONTIAC LEAF SPRINGS KIT, 1 1/2" DROP, INC. SHACKLES AND HARDWARE
21016	SWIVEL STAGE 2 HIGH ARTICULATION BUSHING UPGRADE
2236F	FRONT SWAY BAR, 1 3/8" (H)
2236R	REAR SWAY BAR, 7/8" (H)
2236	SWAY BAR SET, 1 3/8" FRONT BAR (H) & 7/8" REAR BAR (H)
80033	TVS KIT BIG BLOCK INCLUDES 1612, 1909F, 2236, 2409C
80034	TVS KIT SMALL BLOCK INCLUDES 1612, 1908F, 2236, 2409C
80033-2	STAGE 2 TVS KIT 74-76 Firebird BB
80034-2	STAGE 2 TVS KIT 74-76 Firebird SB
80033-27	STAGE 2 TVS KIT 77-81 Firebird BB
80034-27	STAGE 2 TVS KIT 77-81 Firebird SB

1968-1974 GM X-BODY NOVA



1968 - 1974 GM X - BODY NOVA, APOLLO, VENTURA, ETC.

PART#	DESCRIPTION
1107	STOCK UPPER TUBULAR A-ARM PACKAGE, FOR STOCK SPINDLE
1109	LOWER TUBULAR A-ARM PACKAGE
1607	TIE ROD SLEEVES
1906F	FRONT SPRINGS FOR BIG BLOCK, 2" DROP
1907F	FRONT SPRINGS FOR SMALL BLOCK, 2" DROP
2407C	LEAF SPRINGS KIT, 1 1/2" DROP
21016	SWIVEL STAGE 2 HIGH ARTICULATION BUSHING UPGRADE
2207F	FRONT SWAY BAR, 1 1/8" (H)
2260	SWAY BAR SET, 1 1/8" FRONT BAR (H), 7/8" REAR BAR (H)
2260R	REAR SWAY BAR, 7/8" (H)
4009	SUB FRAME CONNECTORS, FOR COUPE ONLY
70010012	HPS 1000 FRONT SHOCK
71010011	HPS 1000 REAR SHOCK - Yellow Color Only
79010011	HPS 1000 SHOCK 4 PACK
80012	TVS KIT BIG BLOCK INCLUDES 1607, 1906F, 2260, 2407C
80013	TVS KIT SMALL BLOCK INCLUDES 1607, 1907F, 2260, 2407C



#22105



CHEVROLET TRI 5 (55, 56, 57) SWAY BARS

Dramatically improve the cornering performance and traction of your 1955-57 Chevy with the Hotchkis Sport Suspension Sway Bar Package. Our performance sway bar package offers fine tunable rear roll stiffness previously unavailable for the classic Chevy Tri-Fives. Cars with wider rear tires and high horsepower engines will greatly benefit from this stability package. The kit includes TIG welded end-links with easy to lubricate polyurethane bushings, premium mounting hardware including, stainless steel u-bolts, laser cut axle mounts, polyurethane bushings, grade 8 bolts and gloss black powder coat finish.

FEATURES:

- Front sway bar-lightweight, durable 1 3/8" tubular steel 60% stiffer than stock sway bar - (800 lbs./in)
- Rear sway bar-lightweight, durable 1.0" tubular steel Two adjustment options: 309 lbs. /in and 480 lbs. /in (No stock rear sway bar)
- End-links feature precision TIG welded construction with easy to lubricate polyurethane bushings.
- Premium mounting hardware including, stainless steel u-bolts, laser cut axle mounts, polyurethane bushings and grade 8 bolts.
- Gloss black powder coat finish.

BENEFITS:

- Brings handling excitement to the classic Tri-Five Chevy
- Increases stability, improves traction, reduces body roll by increasing front/rear roll stiffness
- Two adjustment options on rear sway bar allow optimized handling balance to compensate for larger rear tires and front/rear weight bias
- Easy bolt-on installation in front with minor frame drilling required in rear

IMPALA SS • CAPRICE • IMPALA SS



NEW!
Double Adj.
Upper Arms

- Lowers Impala 1 1/4"
- Includes Bump Stops & Isolators



SPORT COIL SPRINGS

Lower your Impala SS/Caprice from stock and improve handling with our coil springs. They provide an aggressive stance with a firm, but not harsh ride. Each dark blue powdercoated spring is precision wound using the highest quality steel.

THE PRODUCTS OF CHOICE FOR MANY IMPALA SS CLUB MEMBERS.

90-96 GM B-Body

PART# DESCRIPTION

1205	UPPER TRAILING ARMS
1305	LOWER TRAILING ARMS
1612	TIE ROD SLEEVES
1709	TRAILING ARM HARDWARE KIT FOR THE 1305
1715	TRAILING ARM HARDWARE KIT FOR THE 1205
1811	X-TEND REAR SUSP PACKAGE 90-96 ONLY, WHEEL CENTER KIT
1812	REAR SUSPENSION PACKAGE, INCLUDES 1205 & 1305
1922	SPRING SET 90-96 1.5" FRONT & 1.25" REAR DROP (IMPALA SS 1.25" F & 1" R)
2205	SWAY BAR SET, 1 7/16" FRONT BAR (H) & 1 3/8" REAR BAR (H)
2206	SWAY BAR SET, 1 7/16" FRONT BAR (H) & 1 3/8" REAR BAR (H), WAGON ONLY

- Improves Traction and Stability
- Centers Rear Wheels



#1811 X-Tend Kit

X-TEND™ REAR SUSPENSION SYSTEM

Our X-Tend Trailing Arms center the rear wheel in the fender wells giving your Impala the right look. Cornering and overall stability are dramatically improved. The Trailing Arms are constructed from .120" wall steel tubing and are fitted with special polyurethane bushings. These easy to install products are finished in brilliant black powder coating.

- Improves Handling
- Reduces Roll



NEW!

HOLLOW REAR SWAY BAR

IMPALA SS, CAPRICE SWAY BARS

The combination of the 1 7/16" hollow front and 1 3/8" hollow rear bars, control the roll in the corners and plant the car on the straights. A '96 Impala SS equipped with our sway bars covered the 600 ft. slalom test 7.8 MPH faster than stock. Ride comfort is not compromised. Finished in gloss black powdercoat and complete with polyurethane bushings, heavy duty brackets and endlinks.

BEL AIR • BISCAYNE • CAPRICE • IMPALA



*Improves Handling and Control
Increases Stability*



Multi-Adjustable

**Proudly
made in the U.S.A.**

PERFORMANCE SUSPENSION SYSTEM

Turn your giant, unruly Chevrolet B-Body car into a present day handling machine with our performance suspension system. This system includes our fabricated Lower Trailing Arms, adjustable Upper Trailing Arms, adjustable Panhard Rod, tuned Sway Bar package, power steering and sway bar brackets, endlinks, stainless u-bolts and complete installation hardware. The products are 100% TIG welded for greater strength and finished in great looking, durable gloss black powdercoat. Complete installation instructions are included.

PERFORMANCE SWAY BAR PACKAGE

Eliminate unwanted body roll and old car handling with our Performance Sway Bar Package. This easy to install package dramatically improves handling, stability and control without compromising ride quality. Our 1 1/4" front Sway Bar and adjustable 1" rear Sway Bar, control unwanted body roll when cornering and stabilize your car when cruising. These hollow Sway Bars are finished in gloss black powdercoat and come complete with fabricated end links, stainless steel u-bolts, heavy duty brackets, grade 8 hardware and easy to lubricate polyurethane bushings.



*Improves Stability and
Axle Control*

REAR SUSPENSION SYSTEM

Launch harder, accelerate smoothly and gain axle control with our Performance Rear Suspension System. New engine and tire technology vastly overpowers stock suspension. Our fabricated Lower Trailing Arms, adjustable Upper Trailing Arms and adjustable Panhard Rod positively locate the axle under your car, allowing you to benefit from new engine, transmission and tire technology. Optimum pinion angle adjustment for superior traction and proper u-joint angle to cure unwanted driveline vibration can be achieved with our adjustable Upper Trailing Arms. For increased stability and larger tire packaging, the axle can be centered under your car with our adjustable Panhard Rod.

Our performance suspension is finished in gloss black powdercoat and features tough, quiet riding, greasable polyurethane bushings, CNC machining and 100% Tig welded construction. Grade 8 hardware and complete instructions are included.

1959-64 CHEVROLET B-BODY

Part#	Description	Part#	Description
1213	Adjustable Upper Trailing Arm Single Arm	1813	Rear Suspension Package Dual Upper Arms (1213 x 2, 1313, 1513)
1313	Lower Trailing Arms	1820	Rear Suspension Package Single Upper Arm (1213, 1313, 1513)
1513	Adjustable Panhard Rod	2268	Sway Bar Package F = 1 1/4" Hollow R = 1" Hollow
		2269	Sway Bar Package for 605 Steering Box

* 1213 Upper Trailing Arm sold separately Order two for dual upper trailing arm applications

BEL AIR • BISCAYNE • CAPRICE • IMPALA



Proudly made in the **U.S.A.**

Multi-Adjustable

PERFORMANCE SUSPENSION SYSTEM

Turn your giant, unruly Chevrolet B-Body car into a present day handling machine with our performance suspension system. This system includes our fabricated Lower Trailing Arms, adjustable Upper Trailing Arms, adjustable Panhard Rod, tuned Sway Bar package, sway bar brackets, endlinks, stainless u-bolts and complete installation hardware. The products are 100% TIG welded for greater strength and finished in great looking, durable gloss black powdercoat. Complete installation instructions are included.

Improves Traction, Handling and Control



PERFORMANCE SWAY BAR PACKAGE

Eliminate unwanted body roll and old car handling with our Performance Sway Bar Package. This easy to install package dramatically improves handling, stability and control without compromising ride quality. Our 1 1/4" front Sway Bar and adjustable 1" rear Sway Bar, control unwanted body roll when cornering and stabilize your car when cruising. These hollow Sway Bars are finished in gloss black powdercoat and come complete with fabricated end links, stainless steel u-bolts, heavy duty brackets, grade 8 hardware and easy to lubricate polyurethane bushings.

REAR SUSPENSION SYSTEM

Launch harder, accelerate smoothly and gain axle control with our Performance Rear Suspension System. New engine and tire technology vastly overpowers stock suspension. Our fabricated Lower Trailing Arms, adjustable aluminum Upper Trailing Arms and adjustable Panhard Rod positively locate the axle under your car, allowing you to benefit from new engine, transmission and tire technology. Optimum pinion angle adjustment for superior traction and proper u-joint angle to cure unwanted driveline vibration can be achieved with our adjustable Upper Trailing Arms. For increased stability and larger tire packaging, the axle can be centered under your car with our adjustable Panhard Rod. Our performance suspension is finished in gloss black powdercoat and features tough, quiet riding, greasable polyurethane bushings, CNC machining and 100% Tig welded construction. Grade 8 hardware and complete instructions are included.

Improves Stability and Axle Control



1965-70 CHEVROLET B-BODY

Part#	Description	Part#	Description
1214	Adjustable Upper Trailing Arm 65-66 Single Alum. Bodied Arm	1819	Rear Suspension Package 65-66 Single Upper Arm
1215	Adjustable Upper Trailing Arm 67-70 Single Alum. Bodied Arm	1821	Rear Suspension Package 67-70 Single Upper Arm
1314	Lower Trailing Arms 65-70	1822	Rear Suspension Package 67-70 Dual Upper Arms
1514	Adjustable Panhard Rod 65-70	2253	Sway Bar Package 65-66 F = 1 1/4" Hollow R = 1" Hollow
1814	Rear Suspension Package 65-66 Dual Upper Arms	2273	Sway Bar Package 67-70 F = 1 1/4" Hollow R = 1" Hollow

* 1214 & 1215 Upper Trailing Arm sold separately Order two for dual upper trailing arm applications

2010 + CAMARO



#80117



2010-2011 CAMARO COUPE & CONVERTIBLE

PART#	DESCRIPTION
19110	SPRINGS FRONT AND REAR SS 1 INCH DROP F&R (COUPE)
19116	CONVERTIBLE DROP SPRINGS F&R 1 INCH DROP F&R (CONVERTIBLE)
20104	UNDER CAR CHASSIS BRACE
22109	SWAY BARS FRONT 1 1/4 (H) REAR 1' (H)
22110	FRONT & REAR SWAY BAR KIT W/ ENDLINKS
25109	ENDLINK KIT
38104	CHASSIS BRACE SPACER KIT
38109	STRUT SPACER FOR SUPER CHARGERS
22110F	FRONT SWAY BAR W/ ENDLINKS 1 1/4 210% 1 HOLE
22110R	REAR SWAY BAR COMP W/ENDLINKS 500,630,800% 3 HOLE
25109F	FRONT ENDLINK
25109R	REAR ENDLINK
80115-1	STAGE ONE KIT INCLUDES SWAYBARS AND SPRINGS (COUPE)
80116	TRACK PACK INCLUDES 19110,20104,22109 (COUPE)
80117	RACE PACK INCLUDES 22110,20104,20109,19110 (COUPE)
80119-1	STAGE ONE KIT INCLUDES SWAYBARS AND SPRINGS (CONVERTIBLE)
80119-2	TRACK PACK INCLUDES 19116,20104,22109 (CONVERTIBLE)
80119-3	RACE PACK INCLUDES 22110,20104,20109,19116 (CONVERTIBLE)

RACE PACK FEATURES:

- Lightweight 1.25" tubular front bar & 1.375" adjustable tubular rear bar
- High quality rod end links
- 1" Lowered sport coil springs with high performance rates, F.210lbs/in, R.440 lbs/in
- Chassis Max Strut Brace designed to clear Magnuson supercharger systems
- Chassis Max underbody brace, manufactured from Hotchkis exclusive extruded aluminum aero tubing

Designed for high performance 5th Gen Camaros headed for autocross and track days, the Hotchkis Sport Suspension Race Pack is a complete suspension solution that tunes and balances the handling of fifth gen Camaros. Born on the track and engineered for razor-sharp handling performance, our race pack improves steering response and stability, eliminates understeer, sub-frame movement and allows for precise driver control. Our system includes a 1.25" tubular front sway bar, a massive 1.375" 3 way adjustable rear sway bar, high quality 3 pc lined heim joint end links, 1" lowered sport springs, a strut tower brace, and the Chassis Max undercar brace, ties the rear sub frame to the uni-body, reducing wheel hop and sub-frame movement. All necessary hardware and complete installation instructions are included.

CAMARO • FIREBIRD • CAMARO



CAMARO/FIREBIRD STRUT SHOCK TOWER BRACES

Reduce unwanted shock tower chassis flex and positively locate the shock towers. Our Shock Tower Braces enhance front end stability, dampen front end vibration and reduce cowl shake. They work well for drag racing and turning corners. Fabricated from high strength TIG welded aluminum for superior strength, and finished in gloss red or black powdercoat. They are easy to install and come complete with hardware and instructions.

SPORT COIL SPRINGS

Lowers your Camaro/Firebird 1" below stock ride height, to give it the right look, with an aggressive stance and a lower center of gravity. Our springs provide a firm, but not harsh ride. Each dark gray powdercoated spring is precision wound using the highest quality steel.

REAR SUSPENSION SYSTEM

Improve the cornering and straight line performance of your Camaro/Firebird with our sway bars. They control roll in the corners and plant the car on the straights. The 1 7/16" hollow front and 1" rear sway bars are finished in gloss black powdercoat and come complete with polyurethane bushings and endlinks.

SUBFRAME CONNECTORS

Our Subframe Connectors strengthen the chassis of your 1982+ Camaro/Firebird to increase cornering and straight line performance. They are engineered to strengthen the chassis and provide maximum ground clearance, also they reduce T-top and dash rattles. Fabricated from 1 1/2" X 2" steel tubing and finished in gloss black powdercoat. Easy weld in installation.



SPORT SWAY BARS

Put the power to the ground without wheel hop, then drive it into a corner with confidence. Our Trailing Arms and Adjustable Panhard Rod are CNC machined, TIG welded and powdercoated. They are fitted with polyurethane/graphite bushings, and come fully assembled ready to install.

1982-1992 Camaro/Firebird	
PART #	DESCRIPTION
1040G	Torque Arm Mount (84-92) Lips Facing Away From Driveshaft
1041G	Torque Arm Mount (82-83)
1043G	Torque Arm Mount (84-92) Lips Facing Toward Driveshaft
1301*	Lower Trailing Arms
1501*	Adjustable Panhard Rod
1601*	Tie Rod Sleeves
1801*	Rear Suspension Package
1903	Sport Coil Springs (1" Drop)
2203	Sport Sway Bar Set
2203R	Sport Sway Bar Rear only w/stock (36mm Front only)
4001	Sub Frame Connectors (Not for Convertibles)
1993-2002 Camaro/Firebird	
1040G	Torque Arm Mount
1301*	Lower Trailing Arm
1501*	Adjustable Panhard Rod
1801*	Rear Suspension Package
1904	Sport Coil Springs for the LT1 (1" Drop)
1905	Sport Coil Springs for the V6, SS & LS1 (1" Drop)
2003*	Shock Tower Brace for LT1 Only
2006*	Shock Tower Brace for V6, SS & LS1
2204	Sport Sway Bar Set
4002	Sub Frame Connectors (Not for Convertibles)
*Products available in red or black. (R) after part number denotes red.	
**Does not include Coil Springs and Sway Bars	



HOTCHKIS
SPORT SUSPENSION

GM MODERN MUSCLE



1997 - 2011 CORVETTE SPORT SWAY BARS



#2284 (05-11)
#2285 (97-04)

FEATURES:

- Lightweight, durable tubular steel front sway bar
- Lightweight, durable adjustable tubular steel rear sway bar
- Factory style oil impregnated rubber bushings included
- Gloss black powder coat finish

1997-2004 GM C5 CORVETTE

YEAR	PART#	DESCRIPTION
97-04	2285	Sway Bar Set, 1.25" Front & 1" Adj. Rear
05-11	2284	Sway Bar Set, 1.25" Front & 1.125" Adj. Rear

2005-2007 PONTIAC GTO SPORT SWAY BARS



#2278

FEATURES:

- Lightweight, durable tubular steel front sway bar
- Lightweight, durable tubular steel rear sway bar
- Greasable polyurethane bushings
- Gloss black powder coat finish

MODEL	PART#	DESCRIPTION
GTO	2278	Sport Sway Bar Set, 33.5mm Front, 19mm Rear

2004-2006 CADILLAC CTS & CTS-V SPORT SWAY BARS



#2280

FEATURES:

- Lightweight, durable tubular steel front sway bar
- Lightweight, durable tubular steel rear sway bar
- Greasable polyurethane bushings
- Gloss black powder coat finish

MODEL	PART#	DESCRIPTION
CTS	2279	Sport Sway Bar Set, 30mm Front, 21mm Rear
CTS-V	2280	Sport Sway Bar Set, 31.75mm Front, 25.4mm Rear

2005-2011 MUSTANG



TRACK PACK TOTAL VEHICLE SYSTEM

Designed for high performance Mustangs headed for autocross and track days, the Hotchkis Sport Suspension Track Pack TVS is a tuned, balanced complete suspension solution for the SN197 Mustang. Born on the track and engineered for razor-sharp handling performance, the Track Pack improves steering response and stability, eliminates under steer and allows for precise driver control. Starting up front, the system includes a strong, lightweight Strut Tower Brace. To improve vehicle feel and offer a more aggressive stance, 1.1" lowered Sport Coil Springs with performance rates are utilized.

To control body roll, lightweight tubular Sway Bars are included; a 1.5" 4 way adjustable front bar and 1" three-way adjustable rear bar allow you to dial-in the way the car responds to throttle steer and driver input. The Hotchkis Chassis Max Sub Frame Connectors and K Member Brace tie the uni-body together, reducing chassis flex. To improve handling control and traction, the rear features an adjustable upper trailing arm with high articulation PTE lined 7/8" heim joint and massive 1.5" CNC machined aluminum body. The lower trailing arms are laser cut, tig welded steel construction for maximum strength to weight performance and include greasable swivel max polyurethane bushings. Lateral movement is controlled by a adjustable panhard rod. All necessary hardware and complete installation instructions are included. This package will give you the ultimate handling Mustang.



2005 - 2011 FORD MUSTANG

PART#	DESCRIPTION
1416	CHASSIS MAX K MEMBER BRACE
2016	CHASSIS MAX STRUT BRACE
4016	CHASSIS MAX SUB FRAME CONNECTORS
15102	ADJUSTABLE PANHARD ROD
1216	ADJUSTABLE UPPER TRAILING ARM
1316	LOWER TRAILING ARMS
1823	REAR SUSPENSION PACKAGE (INCLUDES 1216,1316,15102)
22102	FRONT & REAR SWAY BAR SET F-4 WAY ADJ R-3 WAY ADJ
19391	FRONT & REAR SPRING KIT F-1.1 DROP R-1.6 DROP
80118-1	STAGE 1 KIT INCLUDES 22102 AND 19391
80118-2	TOTAL VEHICLE SYSTEM, (INCLUDES 19391,22102,1416,2016,4016,1823

1979-2004 MUSTANG



with TVS



without TVS



DELTA™ CAMBER/CASTER PLATES

To get true cornering performance and straight line stability, you need more alignment adjustability than is possible with the stock Mustang.

Features:

- Allows up to 3 degrees overall camber adjustment and 5 degrees overall caster movement on 1979-'93 Mustangs.
- With these new alignment options, you can corner hard keeping your tires flat on the ground and power down the straights with more stability.
- Long lasting polyurethane bushings eliminate unwanted strut deflection while maintaining great ride quality.
- Increases strut/shock travel - especially important for lowered cars.
- Our Delta™ Plates are made from high quality TIG welded steel and CNC machined, heat treated 6061 aluminum.
- Powdercoated gloss black, with special strut boots, bump stops, hardware and instructions.

**DOUBLE
ADJUSTABLE
UPPER ARMS**

ADJUSTABLE UPPER TRAILING ARMS

For the serious driver we have developed Adjustable Upper Trailing Arms. Our new trailing arms allow pinion angle adjustment for superior traction and proper u - joint angle at varying ride heights. These trailing arms feature tough, quiet riding, greasable polyurethane bushings, CNC machining and 100% TIG welded construction. They can easily handle the horsepower of even the fastest Mustangs.

SPORT SWAY BARS

Improve the cornering and straight line performance of your Mustang with our sway bars. They control roll in the corners and plant the car on the straights. The hollow front and redesigned rear sway bars are finished in gloss black powdercoat and come complete with polyurethane bushings, stainless steel U-bolts, endlinks and mounting hardware.

REAR SUSPENSION SYSTEM

Our Upper and Lower Trailing Arms work together to positively locate and control the rear axle. Launches are quicker, smoother and more consistent by eliminating wheel hop. Cornering and overall stability are dramatically improved through increased roll stiffness and sway bar effectiveness. The fabricated Trailing Arms are constructed from high quality, TIG welded, .120" wall steel tubing. They feature our exclusive billet CNC machined spring perch and are fitted with special fluted polyurethane bushings. By eliminating unwanted suspension deflection, these components can easily handle the demands of high horsepower, big tires and even racing slicks.

1979-2004 Ford Mustang

PART#	DESCRIPTION
1204*	Upper Trailing Arm
1204AA	Double Adjustable Upper Trailing Arm
1304*	Lower Trailing Arm (1979-'98)
1311*	Lower Trailing Arm (1999-2004)
1701	Upper Trailing Arm Hardware
1705	Lower Trailing Arm Hardware
1805*	Complete Rear Package** (1979-'98)
1805A	Complete Adjustable Rear Package** (1979-'98)
1815*	Complete Rear Package** (1999-2004)
1815A	Complete Adjustable Rear Package** (99-04)
2251	Sport Sway Bar Set (1996-2004)
3001	Delta™ Camber/Caster Plates (1979-'93)
3002	Delta™ Camber/Caster Plates (1994-2004)

*Products available in red or black. (R) after part number denotes red.

**Does not include Coil Springs and Sway Bars



MOPAR TOTAL VEHICLE SYSTEM

1967-76 A BODY, DART, DEMON, BARRACUDA,
DUSTER, SCAMP, VALIANT



#80113, 1967 - 1972

UPPER A-ARMS

- Dramatically improves traction and steering response
- Lightweight tubular a-arms improve camber curve
- Reduced bump steer
- Bright nickel colored powder coat finish, bolt-on installation

STEERING KIT

- Corrects bump steer in conjunction with upper a-arm
- Improves Stability
- Bright nickel colored powder coat finish, bolt-on installation

STRUT RODS

- Rigid 5/8" high articulation rod ends
- Positively positions lower arm for improved responsiveness and driver feedback
- Bright nickel colored powder coat finish, bolt-on installation

SWAY BARS

- Substantial handling improvement with bolt-on installation
- Adjustable for balanced handling and excellent control
- Includes complete hardware and detailed instructions

LEAF SPRINGS

- Fabricated leaf spring mounts move spring pick up points to eliminate rear steer
- Lowers stance 1" for improved stability and great looks
- Increased spring rate for comfortable sport ride



#4014,15

SUB FRAME CONNECTORS

- Dramatically reduces chassis flex during hard cornering and acceleration
- Rigidly connects the front sub frame to rear chassis frame rail
- No cutting or modifying floor pan, unique tucked-in design



MOPAR TOTAL VEHICLE SYSTEM

**70-74 E BODY CUDA, CHALLENGER
66-70 B BODY, CHARGER, CORONET, SUPER BEE,
SATELITE, ROAD RUNNER, GTX**



UPPER A-ARMS

- Dramatically improves traction and steering response
- Geometry corrected with improved camber curve
- Pick up point relocation brackets correct excessive caster gain and reduce bump steer
- Bright nickel colored powder coat finish, bolt-on installation

STRUT RODS

- Rigid 5/8" high articulation rod ends
- Positively positions lower arm for improved responsiveness
- Bright nickel colored powder coat finish, bolt-on installation

SUB FRAME CONNECTORS

- Dramatically reduces chassis flex during hard cornering and acceleration
- Rigidly connects the front sub frame to rear chassis frame rail
- No need to cut or modify floor pan
- Tucked-in design for excellent ground clearance

SWAY BARS

- Adjustable for balanced handling and excellent control
- Bolt-on installation
- Includes complete hardware and detailed instructions

STEERING KIT

- Corrects bump steer in conjunction with upper a-arm
- Improves Stability
- Bright nickel colored powder coat finish, bolt-on installation

LEAF SPRINGS

- Fabricated leaf spring mounts move spring pick up points to eliminate rear steer
- Lowers stance 1" for improved stability and great looks
- Increased spring rate for comfortable sport ride
- Bolt-on installation

HEAVY DUTY BILLET SWAY BAR BUSHING BRACKETS

FEATURES:

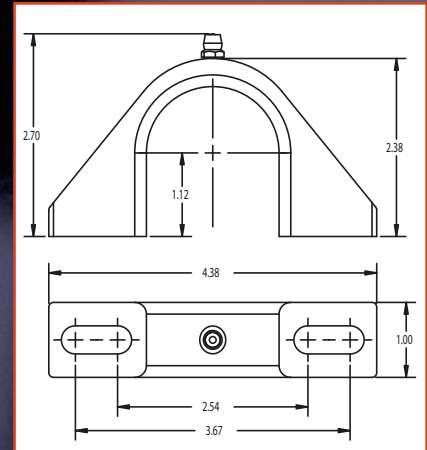
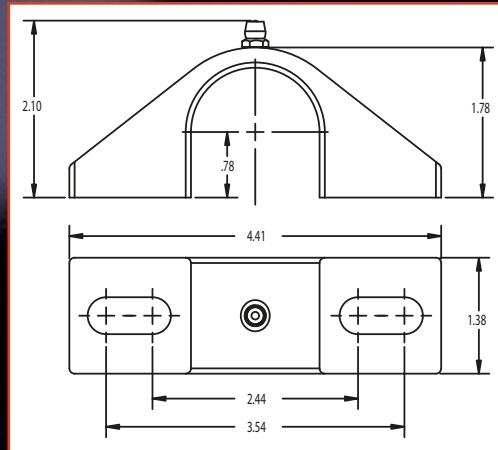
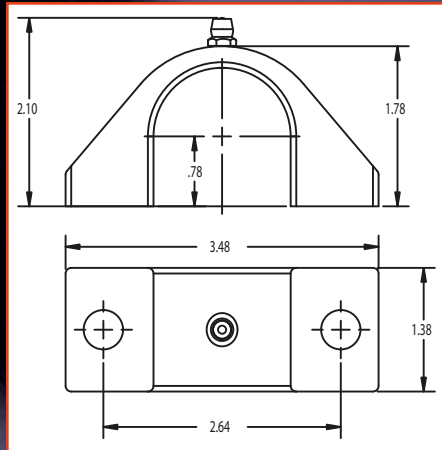
- CNC Machined 7075 Aluminum
- Hard Anodized
- Grease Fittings
- Polyurethane Bushings
- Hardware & Washers Included (Style C)
- Includes Our Special Grease
- Universal Application

Common Hotchkis Applications:

- 2201F & 2202F Use 2391375
- 2207F use 23191125



#23391375



BAR DIAMETER

BAR DIAMETER	STYLE A	STYLE B	STYLE C
5/8"	23190625	23290625	-
3/4"	23190750	23290750	-
13/16"	23190813	23290813	-
7/8"	23190875	23290875	-
15/16"	23190938	23290938	-
1"	23191000	23291000	-
1-1/16"	23191063	23291063	23391063
1-1/8"	23191125	23291125	23391125
1-3/16"	23191188	23291188	23391188
1-1/4"	23191250	23291250	23391250
1-5/16"	23191313	23291313	-
1-3/8"	-	-	23391375

ACCESSORIES

UNIVERSAL HOOD PINS



#1760

FEATURES:

- CNC machined aluminum
- Hard anodized finish
- Aircraft spec quick release stainless steel pins and hardware
- Universal design fits practically all vehicles
- Laser etched Hotchkis logo



MADE IN USA

1967-69, 1970-81 CAMARO FENDER SUPPORT BRACES



1967-69 #2015
1970-81 #2018

FEATURES & BENEFITS:

- Lightweight, strong, elliptical billet aluminum
- Polished finish
- Laser cut steel brackets
- Increases rigidity
- Enhances appearance
- Bolt-on installation
- Complete with special hardware

#32101



GM DIFFERENTIAL BUSHING REMOVAL TOOL

The Hotchkis GM upper trailing arm bushing install and removal tool allows for easy removal and installation of new bushings in GM 10 & 12 bolt rear ends commonly found in GM A-Body vehicles. Our tool makes a great addition to any professional or backyard mechanics tool box.

#3101



BUSHING GREASE



PRO ASSORTMENT HARDWARE/ELECTRICAL KIT

THE



TEAM

Dan "the man"



KWS taking John Hotchkis for a ride.



KWS's Hotchkis equipped Duster.



Carl @ Speed



Mike H.



Sam

Trish & Rob



Deanna



Mary "at the office"

**UNTRUCKED
NOTHING**
SPORT SUSPENSION